
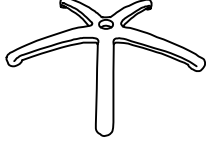

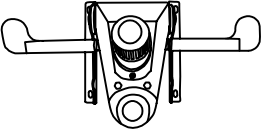
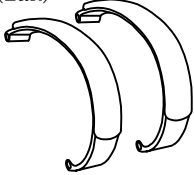
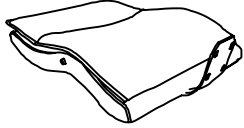









# ASSEMBLY INSTRUCTION

Item Code: RAV 4 MA CH /RAV 4 EX CH

A x 5 	B x 1 
C x 1 	D x 1 
E x 1 (L&R) 	F x 1 
G x 1 	H x 4 
J x 4 (M6 x 20MM) 	K x 4 (M6 x 30MM) 
L x 4 (M8 x 45MM) 	M x 4 
N x 1  M6	

